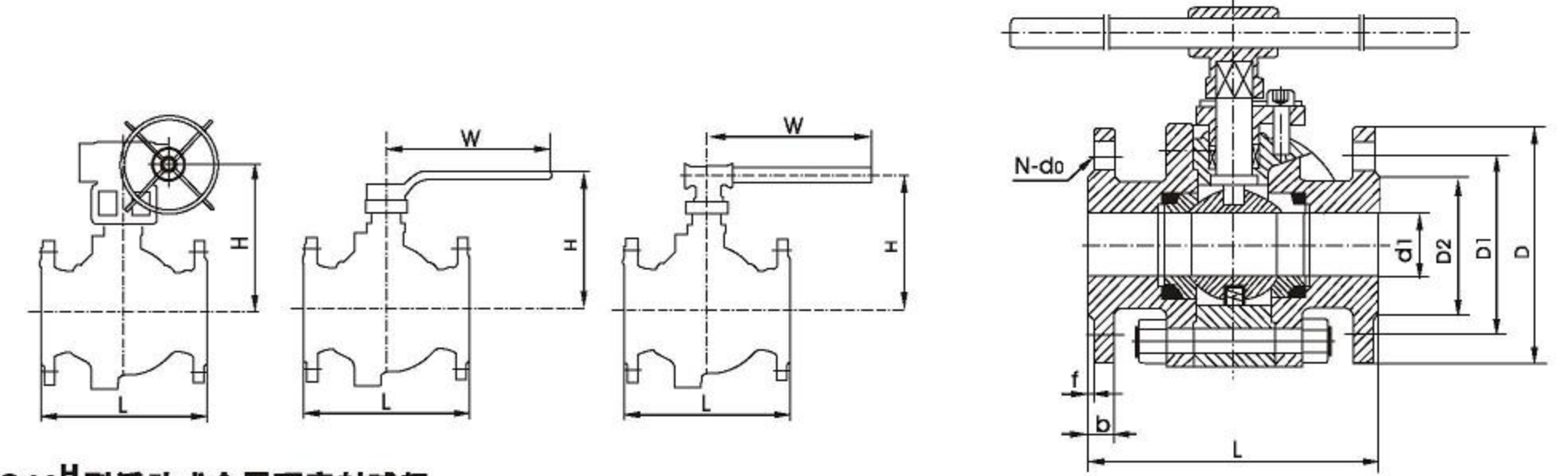


规格 主要尺寸和重量 Specification Main size and weight

1.6Mpa	DN	L	D	D1	D2	b	n-φd	H	D0	重量(kg) Weight
凸面法兰 Convex flange	15	130	95	65	45	14	4-14	75	100	3
	20	130	105	75	55	14	4-14	75	160	4
	25	140	115	85	65	14	4-14	85	160	5.5
	32	165	135	100	78	16	4-18	110	250	9
	40	165	145	110	85	16	4-18	135	250	12
	50	203	160	125	100	16	4-18	142	350	15
	65	222	180	145	120	18	4-18	173	350	20
	80	241	195	160	135	20	8-18	183	450	27
	100	305	215	180	155	20	8-18	255	450	38
	125	356	245	210	185	22	8-18	264	600	58
2.5MPa	15	130	95	65	45	16	4-14	75	100	3
	20	130	105	75	55	16	4-14	75	160	4
	25	140	115	85	65	16	4-14	85	160	5.5
	32	165	135	100	78	18	4-18	110	250	9
	40	165	145	110	85	18	4-18	135	250	12
	50	203	160	125	100	20	4-18	142	350	15
	65	222	180	145	120	22	8-18	173	350	20
	80	241	195	160	135	22	8-18	183	450	27
	100	305	230	190	160	24	8-23	255	450	40
	125	356	270	220	188	28	8-25	315	600	62
凸面法兰 concave flange	15	130	95	65	45	16	4-14	75	100	3
	20	130	105	75	55	16	4-14	75	160	4
	25	140	115	85	65	16	4-14	85	160	5.5
	32	165	135	100	78	18	4-18	110	250	9
	40	165	145	110	85	18	4-18	135	250	12
	50	203	160	125	100	20	4-18	142	350	15
	65	222	180	145	120	22	8-18	173	350	20
	80	241	195	160	135	22	8-18	183	450	27
	100	305	230	190	160	24	8-23	255	450	40
	125	356	270	220	188	28	8-25	315	600	62

4.0MPa	DN	L	D	D1	D2	D6	b	n-φd	H	D0	重量(kg) Weight
凹凸法兰 Convex and concave flange	15	130	95	65	45	40	16	4-14	75	100	3.5
	20	150	105	75	55	51	16	4-14	75	160	4.5
	25	160	115	85	65	58	16	4-14	85	160	6
	32	180	135	100	78	66	18	4-18	110	250	10
	40	200	145	110	85	76	18	4-18	135	250	14
	50	230	160	125	100	88	20	4-18	142	350	20
	65	290	180	145	120	110	22	8-18	173	350	25
	80	310	195	160	135	121	22	8-18	183	450	50
	100	350	230	190	160	150	24	8-23	255	450	70
	125	400	270	220	188	176	28	8-25	315	600	80
MFM	150	480	300	250	218	204	30	8-25	340	800	101
	200	600	375	320	282	260	38	12-30	395	1200	216



Q41H型浮动式金属硬密封球阀

由于从根本上改变了传统球阀的密封形式和密封材料，提高了阀门的耐高温高压能力，本阀阀座结构和造形独特，密封面在关闭状态下受力均匀，变形小，承压能力高。密封圈底部设置有弹簧，使密封圈底部脱离阀体内壁，产生一定的空间、当球芯压在阀座密封圈上时，密封圈压缩底部弹簧并富有弹性，起预紧与补偿作用，由于阀座具有弹性，减少了阀座与球芯的磨损，且操作轻便，使本阀在任何条件下都能保持良好的密封性能。采用耐高温的密封材料，使用温度可超过600℃。具有耐高温、高压、腐蚀、磨损等特点。相应的球芯可根据介质性质有三种硬化处理方法，其表面硬度可达HRC70。气泡级密封，经测定可达零泄漏，本阀有极佳的防火与切断性能。可应用于高温高压蒸汽和温度急剧变化的管道、超低温管道，及催化裂化装置的催化剂、油浆系统以及焦化装置的焦炭塔油气管道。

Q41H (Y) Floating Hard-sealed mental butterfly valve

It Changes the traditional sealing forms and sealing materials of the ball valve, enhanced the high temperature and high voltage capacity. The structure of valve is unique and the sealing surface can sustain the strong pressure. There is spring under the bottom of sealing ring and so there is space between the body wall and the sealing ring. Because the seat has flexibility, the wear between the seat and disc is small. The valve will keep good sealing performance and the sealing material will use high temperature , the temperature can exceed 600 ℃, corrosion of high temperature, high pressure,

主要连接尺寸 Main connection dimensions

单位Unit:(mm)

PN16(1.6MPa)											
DN	d1	L	D	D1	D2	b	f	n-d0	H	W	重量 (kg)
20	20	130	105	75	55	14	2	4-14	75	130	3.2
25	25	140	115	85	65	14	2	4-14	85	130	3.5
32	32	165	140/135	100	78	16	2	4-18	110	180	6.5
40	40	165	150/145	110	85	16	3	4-18	135	230	7.2
50	50	203	165/160	125	100	16	3	4-18	142	230	8.5
65	65	222	185/180	145	120	18	3	4-18	173	400	14.8
80	80	241	200/195	160	135	20	3	8-18	183	400	25
100	100	305	220/215	180	155	20	3	8-18	255	650	35
125	125	356	250/245	210	185	22	3	8-18	264	650	75
150	150	394	285/280	240	210	24	3	8-23	290	1000	135
PN25(2.5MPa)											
DN	d1	L	D	D1	D2	b	f	n-d0	H	W	重量 (kg)
20	20	152	105	75	55	16	2	4-14	75	130	3.25
25	25	165	115	85	65	16	2	4-14	85	130	3.9
32	32	178	140/135	100	78	18	2	4-18	110	180	7.25
40	40	190	150/145	110	85	18	3	4-18	135	230	8.6
50	50	216	165/160	125	100	20	3	4-18	142	230	11.5
65	65	241	185/180	145	120	22	3	8-18	173	400	22.5
80	80	283	200/195	160	135	22	3	8-18	183	400	25
100	100	305	230	190	160	24	3	8-23	250	650	35
125	125	381	270	220	188	28	3	8-25	315	650	75
150	150	403	300	250	218	30	3	8-25	340	1000	146

Note: 以上数据仅供参考，可根据用户要求设计与制造。

Note: We can design and manufacture the valve according to the customers' demands, the above information is just for reference.